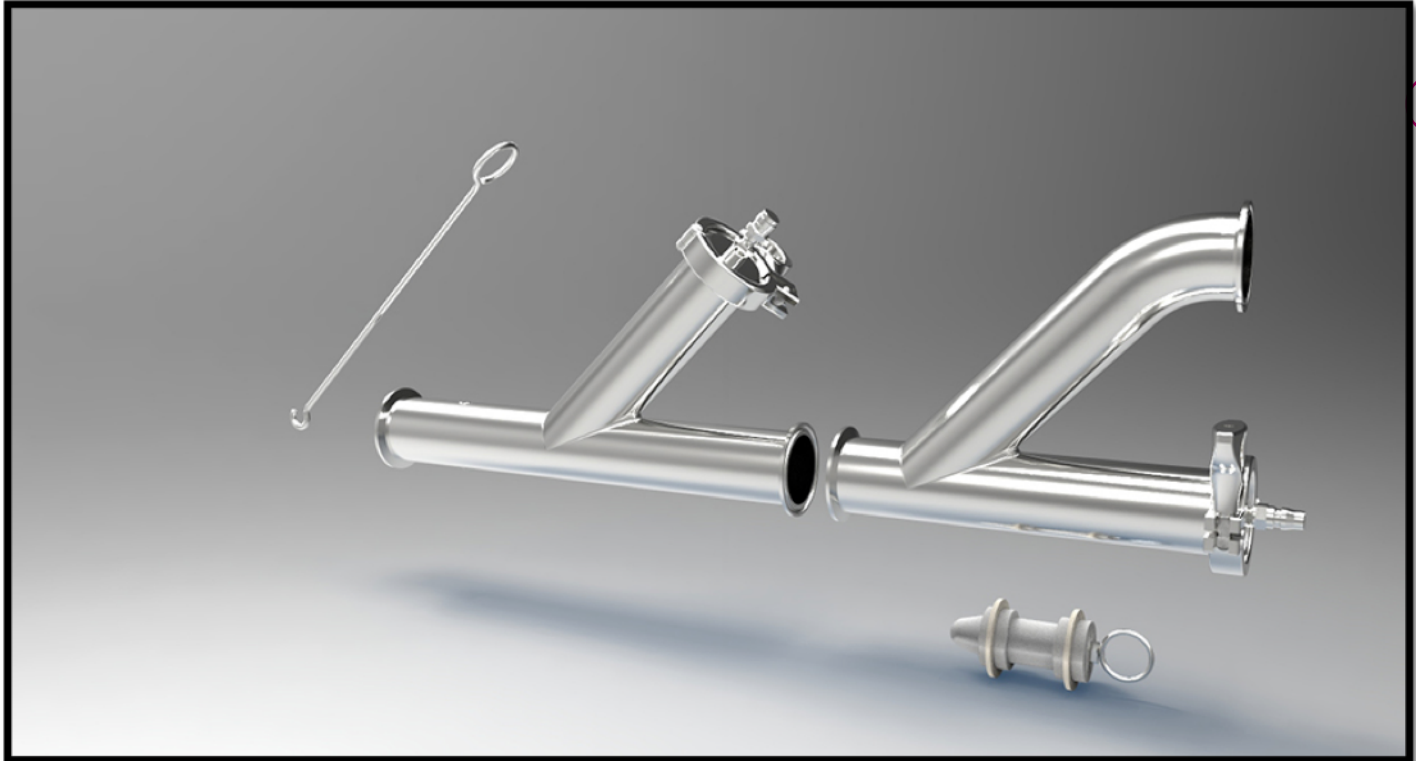


T316L Product Recovery System (PIG System)

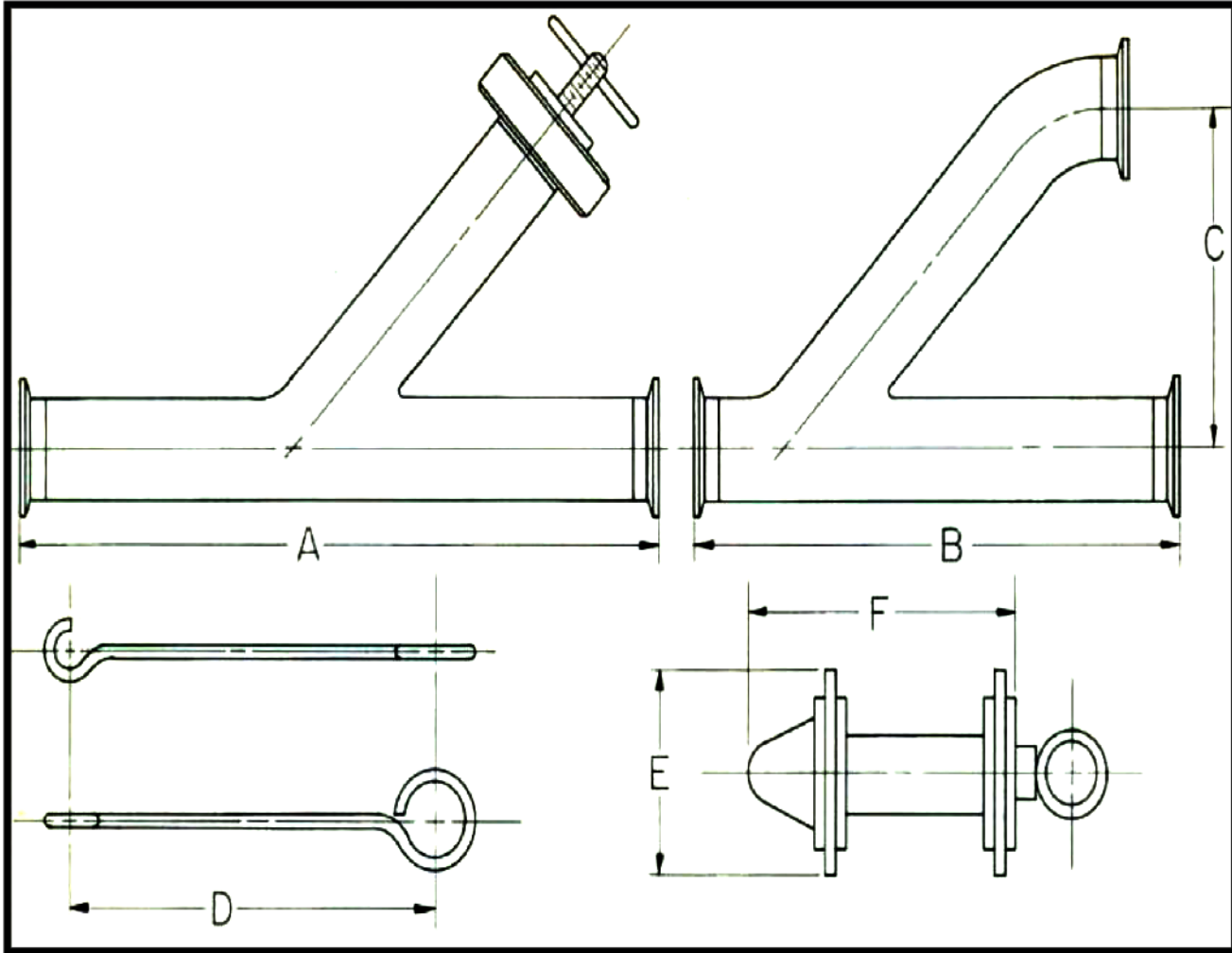


www.sanitarysolutions.com

Sanitary Solutions Inc. 1-888-909-3569 or 1-855-640-7871

Prices are subject to change without notice; please call before you quote

T316L Product Recovery System (PIG System)



SIZE	A	B	C	D	E	F	Weight
1.5"	11.69	8.938	5.063	10.50	1.469	2.813	5.40
2"	13.81	10.38	5.906	11.50	1.968	3.531	8.60
2.5"	16.00	11.66	7.094	12.00	2.425	4.438	12.40
3"	18.25	12.47	7.563	12.25	2.925	5.625	15.00
4"	20.50	13.63	9.343	12.25	3.934	6.250	25.30

Features:

Meets all 3-A requirements

Faster Changeovers, Fewer Washouts & Handles Viscous Products

Our "PIG" will pass through elbows and tees

www.sanitarsolutions.com

Sanitary Solutions Inc. 1-888-909-3569 or 1-855-640-7871

Prices are subject to change without notice; please call before you quote