

# SANITARY SOLUTIONS<sup>INC.</sup>

*Bulldog Valves...Bulldog Tough.<sup>TM</sup>*

## Sanitary Y-Ball Check Valve



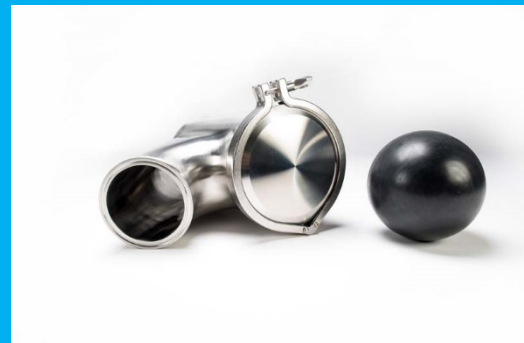
**4" Size is Available**



**Buna Ball Standard**



**Polish ID/OD to 3A Standards**



**Stocking a 6" Air Blow Check**

Features:

**IN STOCK Sizes: 1.5", 2", 2.5", 3", 4"**

**Temperature Range: 15°F to 195°F**

**No Special Tools**

**Maximum Operating Pressure: 145 PSI**

Repair Kits Consist of: (1) each:

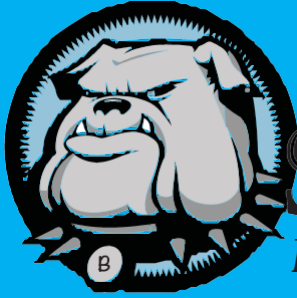
**Buna Ball & EPDM Gasket**

**Teflon®, Viton® Ball is coming**

**Repair Kit Part #**

**SSYBCV-RK-Size**

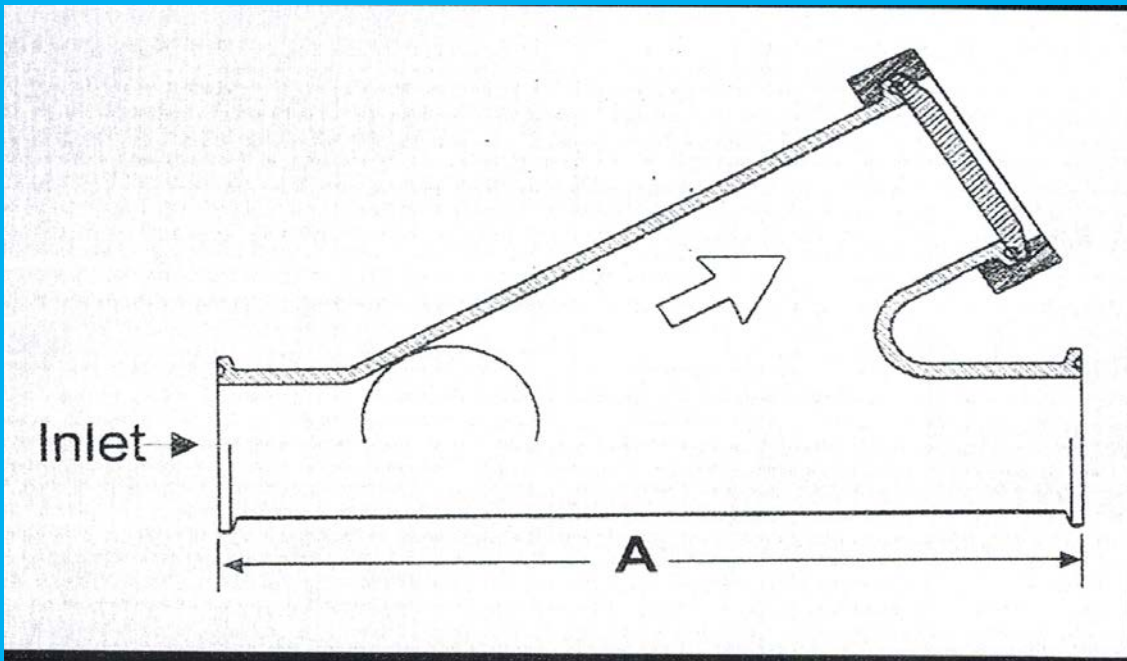
**1-888-909-3569 or 1-855-640-7871**



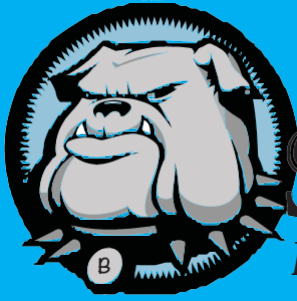
# SANITARY SOLUTIONS<sup>INC.</sup>

*Bulldog Valves...Bulldog Tough.<sup>TM</sup>*

## Sanitary Y-Ball Check Valve Product Specifications



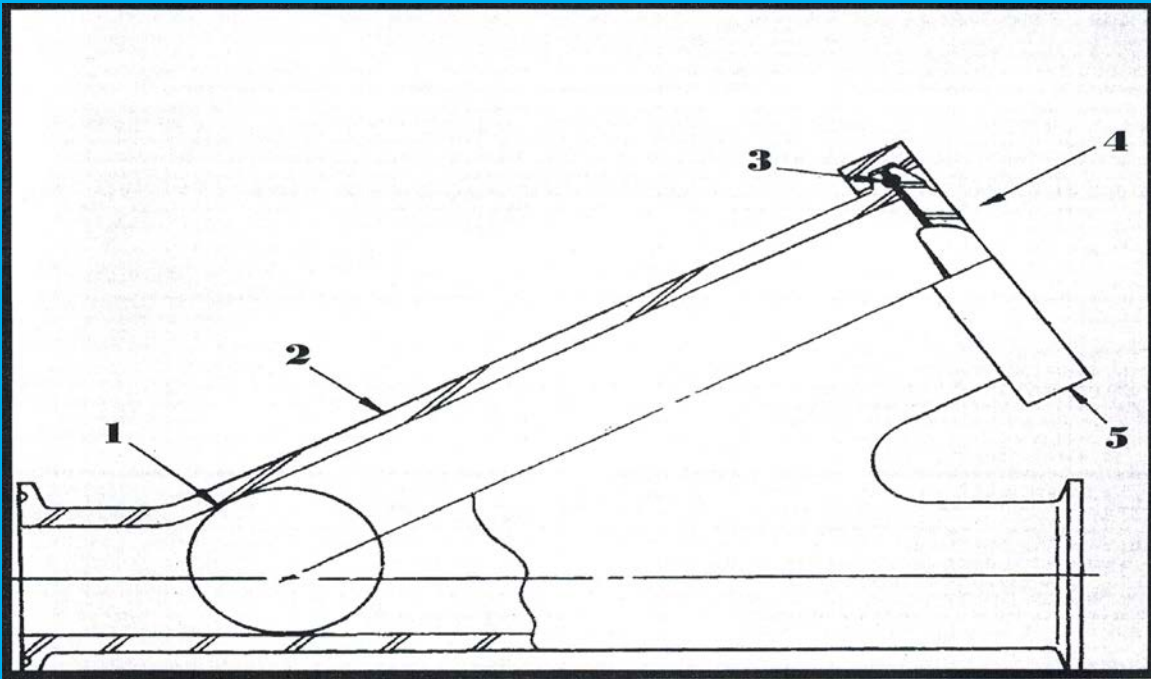
<u>Tube OD (size)</u>	<u>A</u>	<u>Weight</u>	<u>Y-Ball Check Valve Size</u>	<u>Air Blow Check Valve Size</u>
<b>1.5"</b>	<b>8.625"</b>	<b>3.100</b>	<b>1.5"</b>	<b>2"</b>
<b>2"</b>	<b>10.09"</b>	<b>3.330</b>	<b>2"</b>	<b>2.5"</b>
<b>2.5"</b>	<b>11.50"</b>	<b>7.750</b>	<b>2.5"</b>	<b>3"</b>
<b>3"</b>	<b>12.37"</b>	<b>10.25</b>	<b>3"</b>	<b>4"</b>
<b>4"</b>	<b>18.00"</b>	<b>42.10</b>	<b>4"</b>	<b>6"</b>



# SANITARY SOLUTIONS INC.

*Bulldog Valves...Bulldog Tough.™*

## **Sanitary Y-Ball Check Valve Product Specifications**



<b><u>Item #</u></b>	<b><u>Description</u></b>	<b><u>Material</u></b>	<b><u>Quantity</u></b>
<b>1</b>	<b>Ball</b>	<b>Buna (standard)</b>	<b>1</b>
<b>2</b>	<b>Valve Body</b>	<b>T316L</b>	<b>1</b>
<b>3</b>	<b>Gasket</b>	<b>EPDM</b>	<b>1</b>
<b>4</b>	<b>End Cap</b>	<b>T316L</b>	<b>1</b>
<b>5</b>	<b>Clamp</b>	<b>T304</b>	<b>1</b>

[www.sanitarysolutionsinc.com](http://www.sanitarysolutionsinc.com)